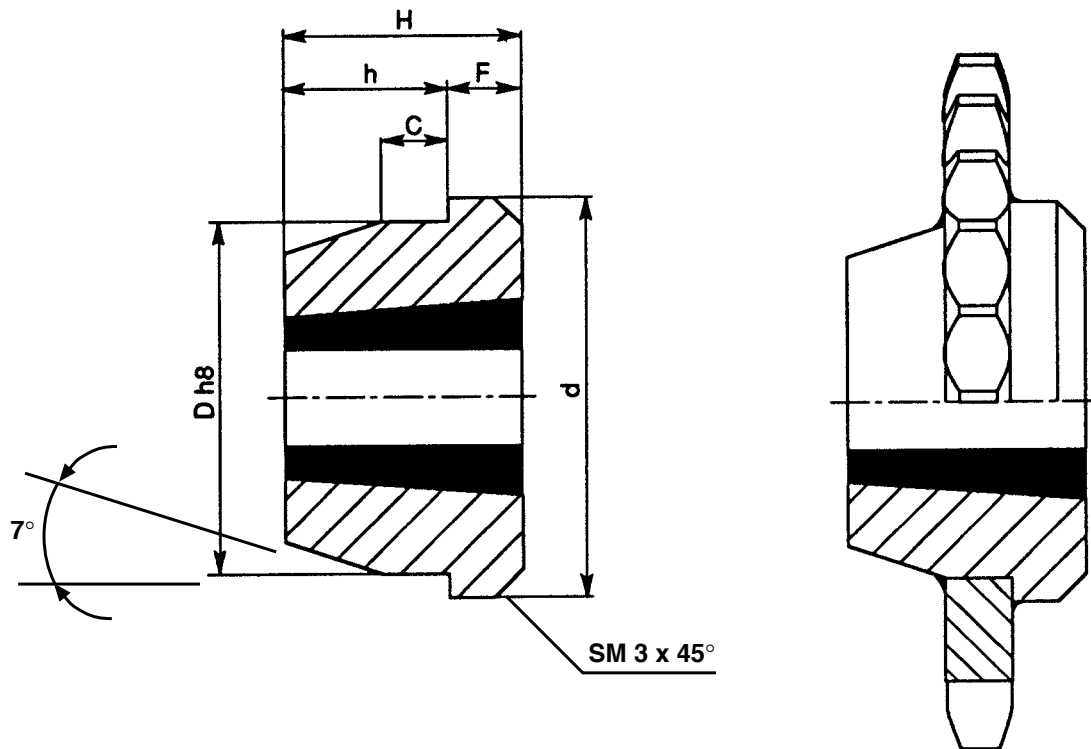


Mozzi saldabili per bussola conica
Welding hubs for taper bushes
Einschweissnaben für Spannbuchsen
Moyeux coniques a souder
Cubos soldados para casquillos cónicos



Materiale Fe 50 - Material St 50 - St 60 - Matière Fe 50 ± St 60 - Materiel Fe 50 ± St 60

TIPO BUSSOLA BUSH TYPE BUCHSE TYP MOYEUR TYPE CASQUILLOS TIPO	COD.	d	H	C	F	h	Dh8
1210	MSB1210	73	25	10	9	16	60
1215	MSB1215	76	38	11	16	22	60
1610	MSB1610	83	25	10	9	16	70
1615	MSB1615	83	38	11	16	22	70
2012	MSB2012	96	32	12	10	22	90
2517	MSB2517	127	45	13	19	26	110
3020	MSB3020	152	51	18	24	27	130
3030	MSB3030	152	76	19	25	51	130
3525	MSB3525	184	65	25	25	40	155
3535	MSB3535	184	89	25	32	57	155
4040	MSB4040	225	102	35	32	70	195
4545	MSB4545	254	114	40	38	76	220
5050	MSB5050	276	127	40	38	89	242